



STAR WARS

MINI BUILDING SET

4486

Snowspeeder™



AT-ST™



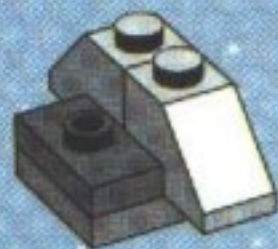
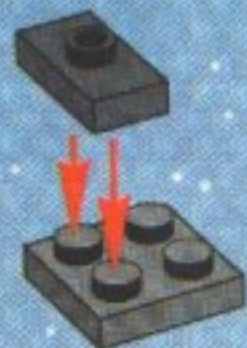
MINI

4193296

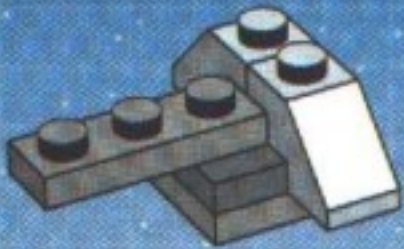


1

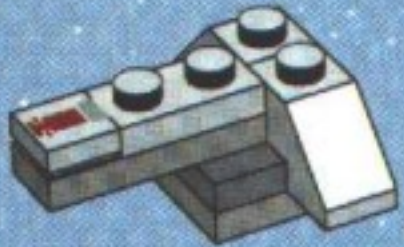
2



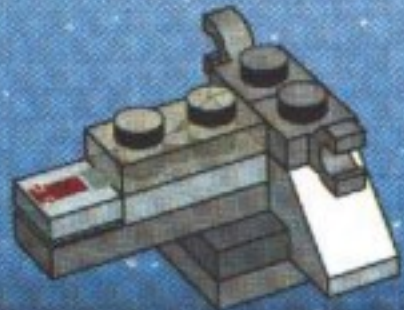
3



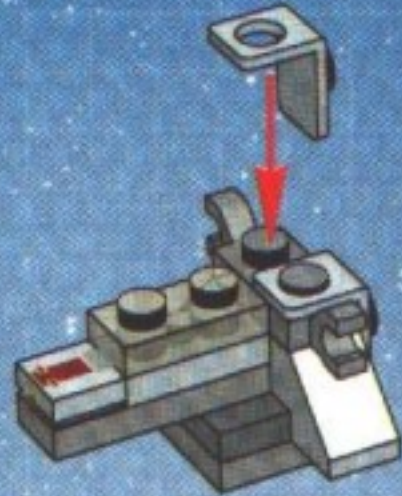
4



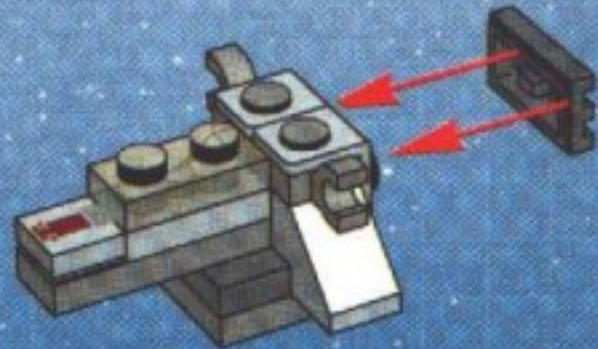
5



6



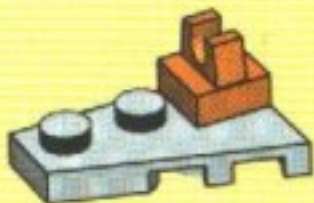
7



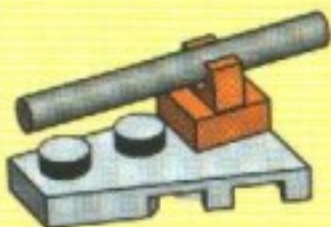
1



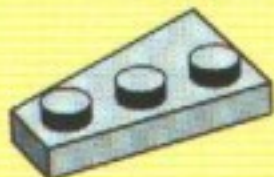
2



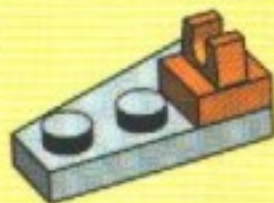
3



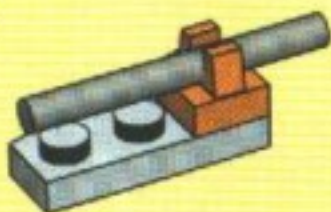
1

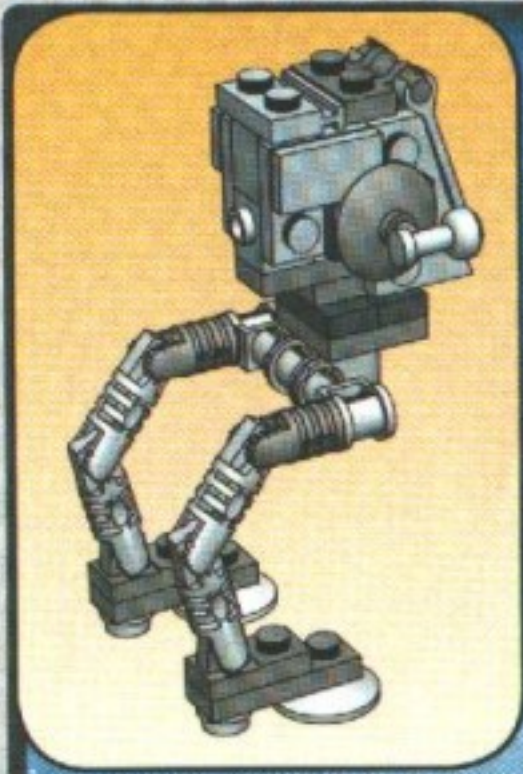


2

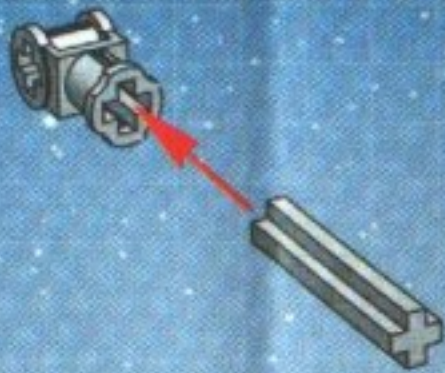


3





1



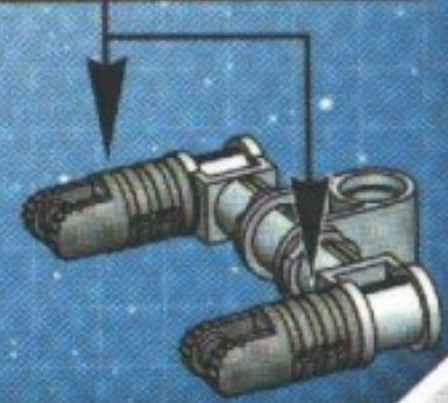
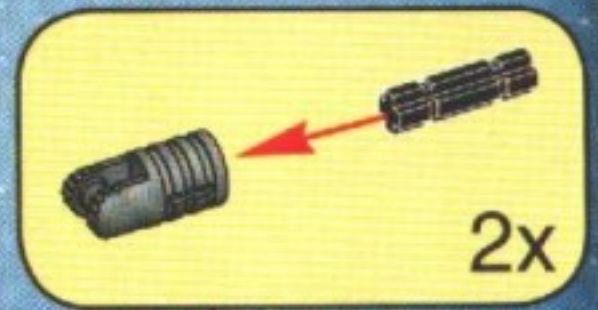
2



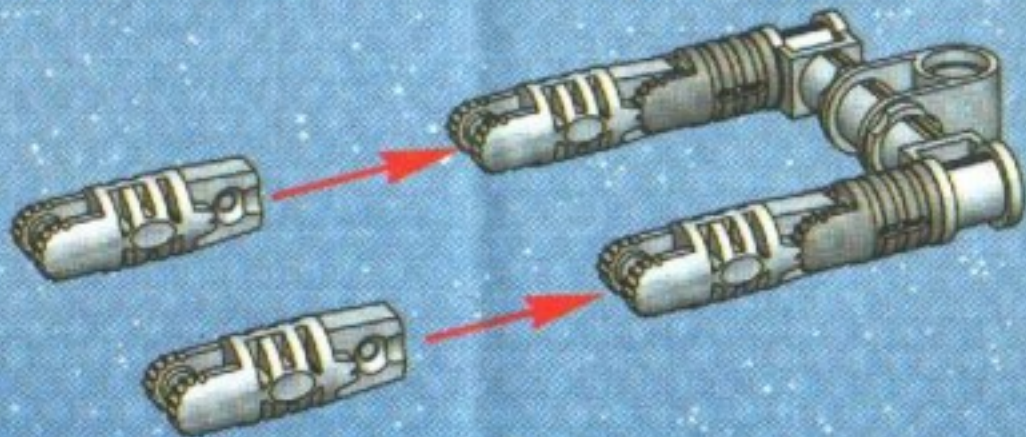
3



4



5



1



2

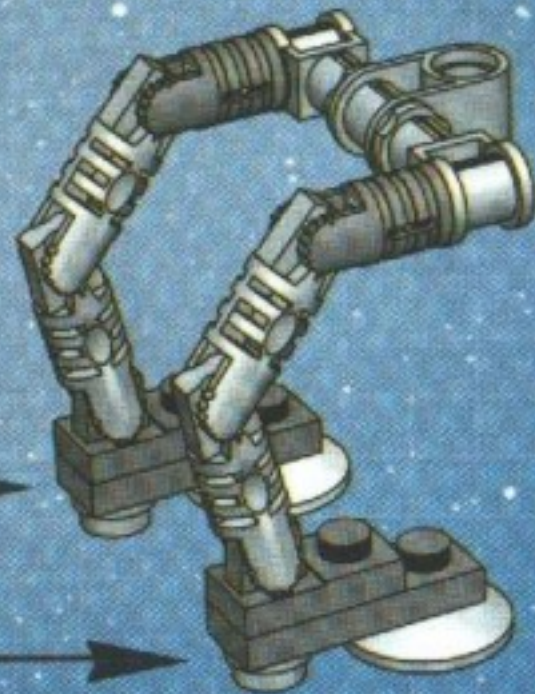


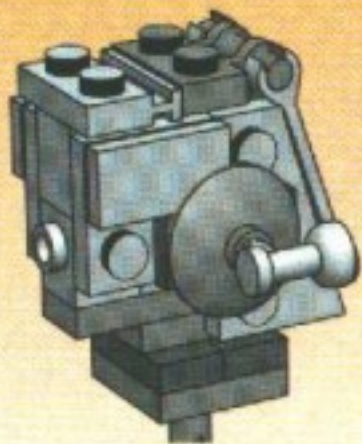
3



2x

6





1

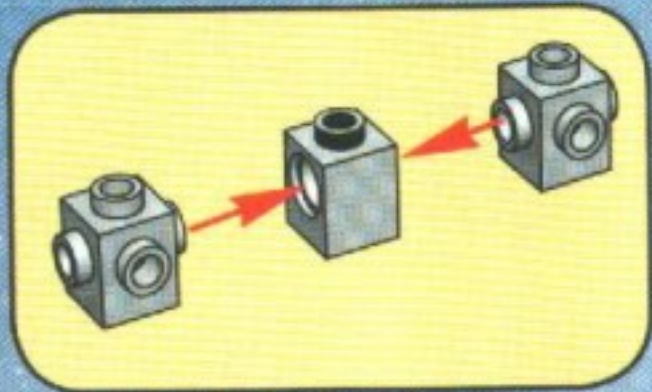


2

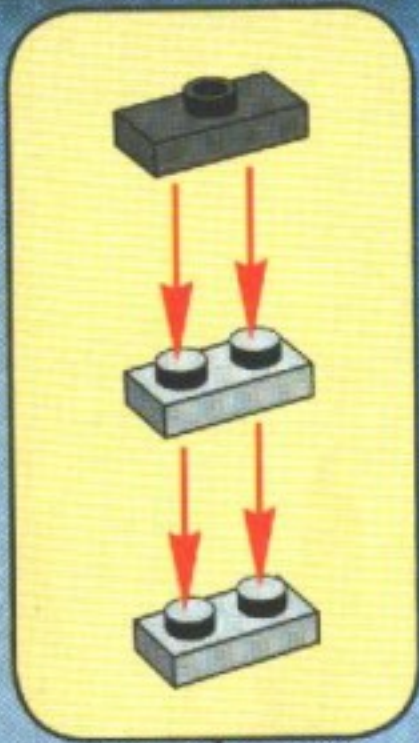


3





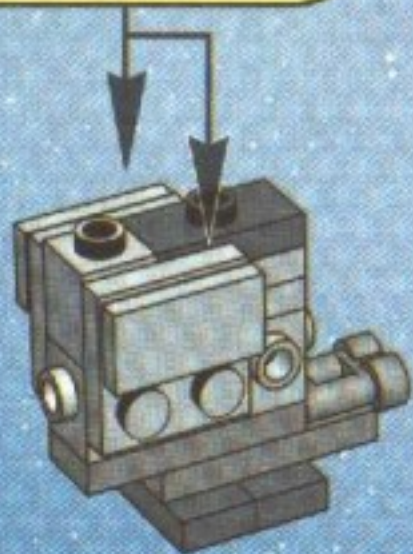
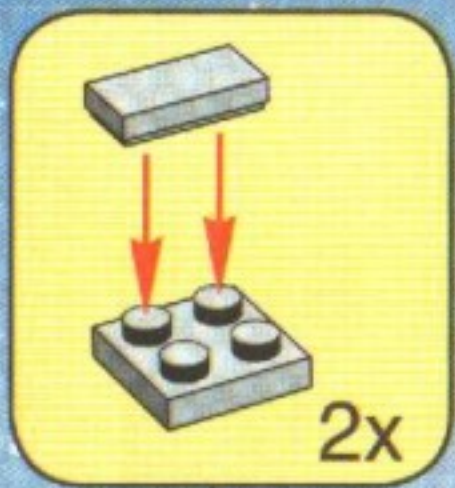
4



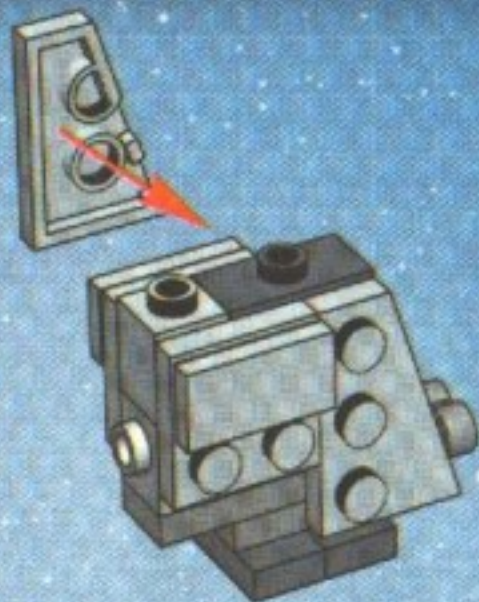
5



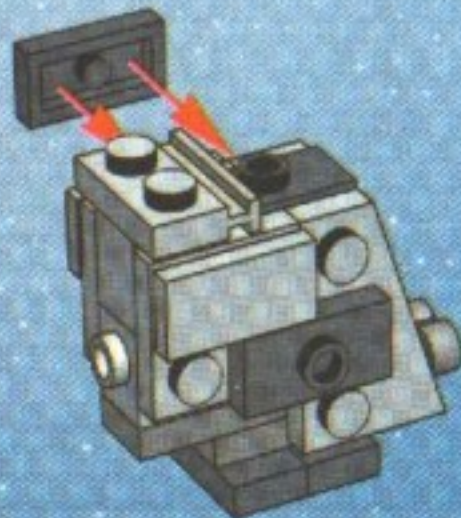
6



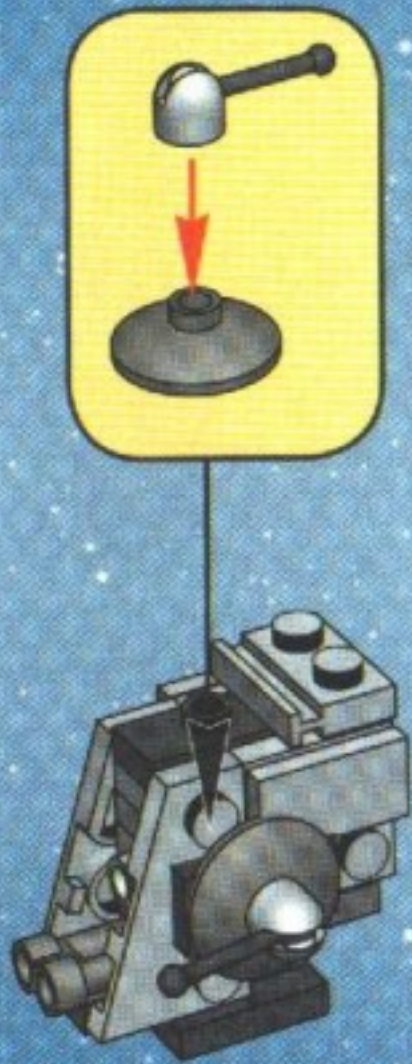
7



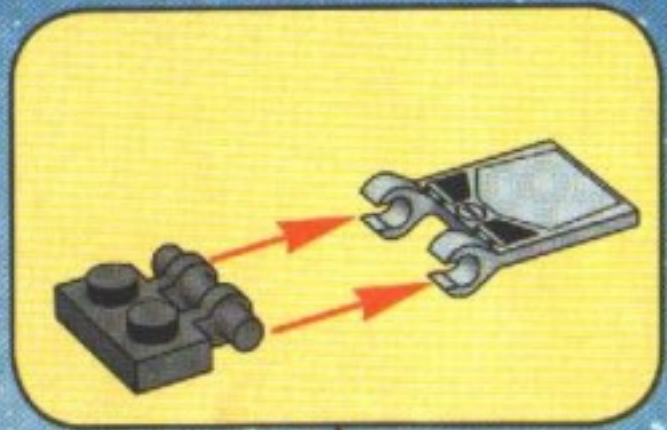
8



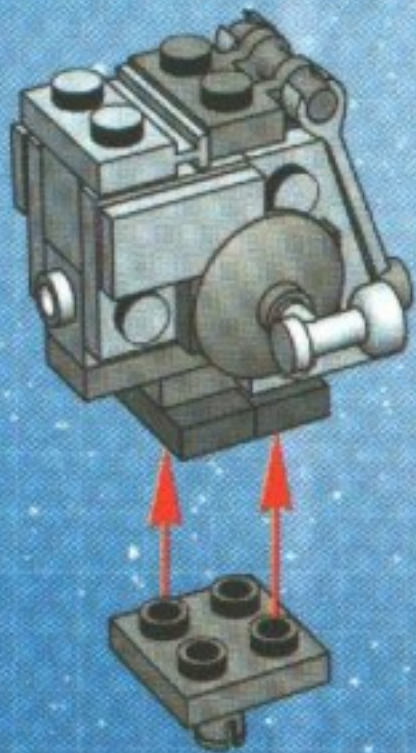
9



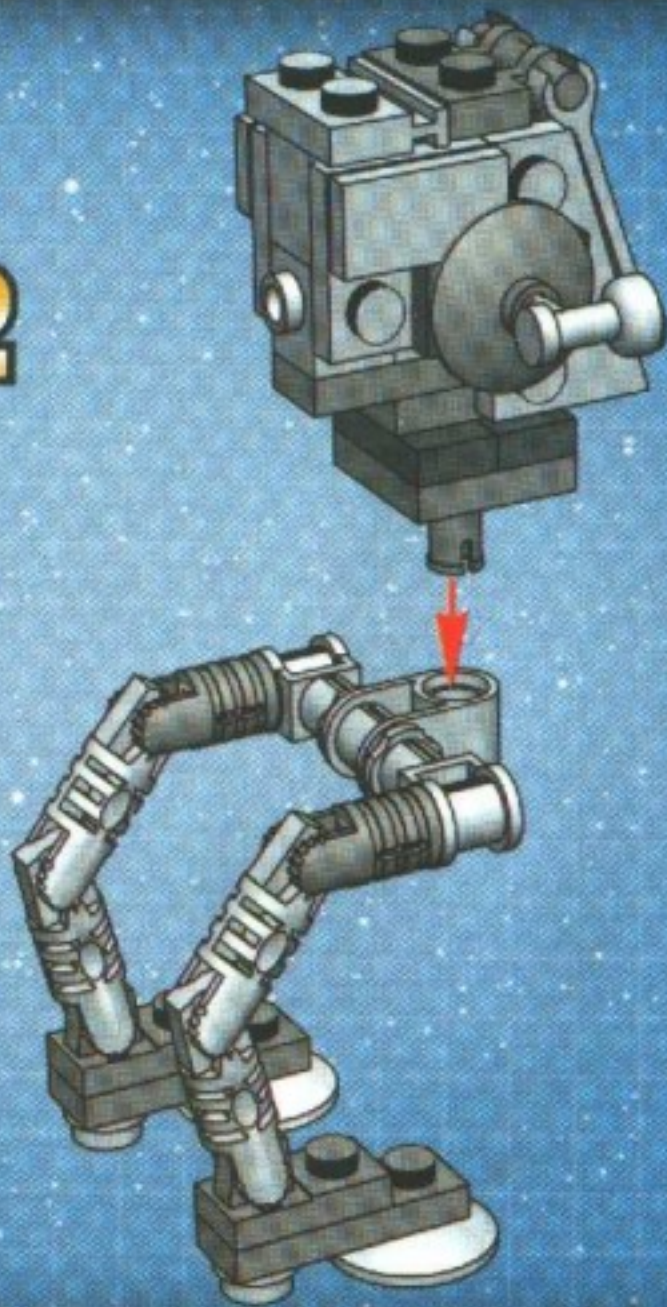
10



11



12



LEGO

**STAR
WARS**

NEW



4484



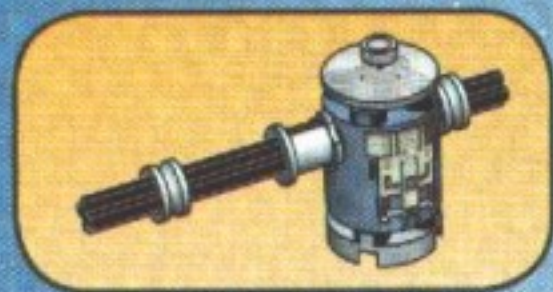
4486



4487



4485



1



2



3



4

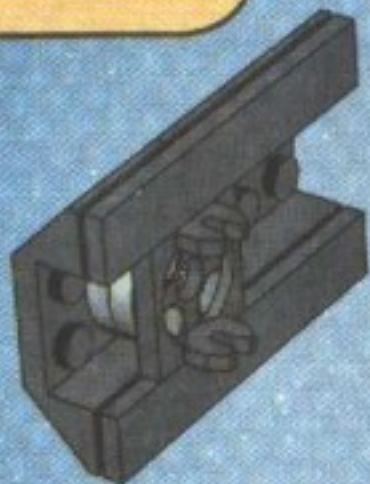


5





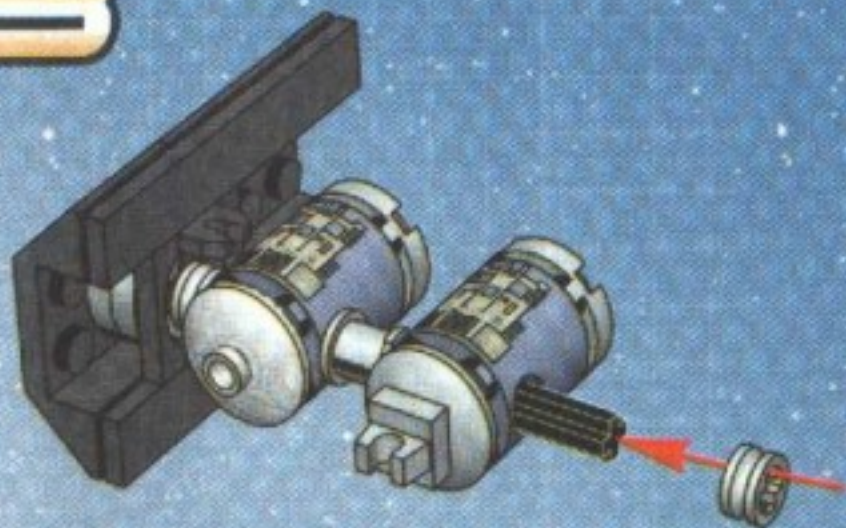
1



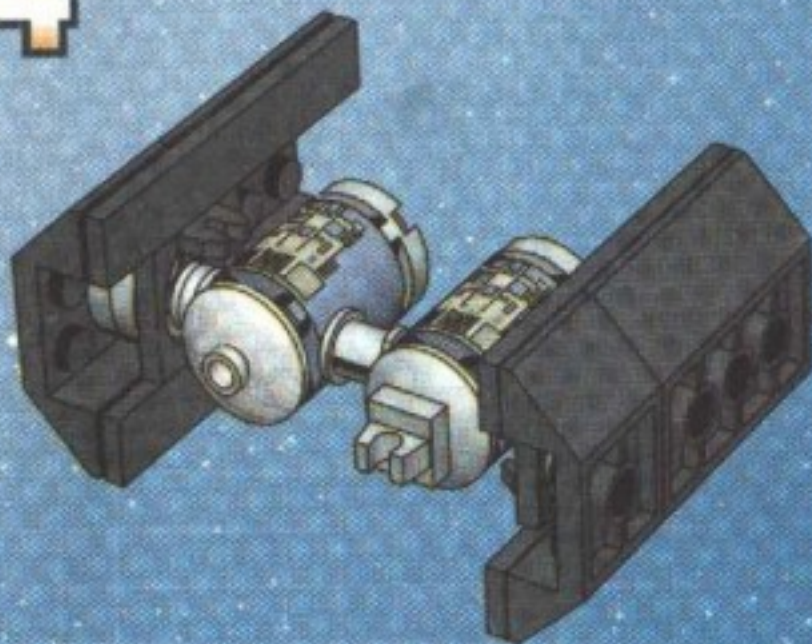
2



B



4



STAR WARS
WWW.STARWARS.COM



www.LEGO.com



LEGO, the LEGO logo and the minifigure are trademarks of the LEGO Group.
© 2003 The LEGO Group.

© 2003 Lucasfilm Ltd. & TM. All rights reserved. Used under authorization

